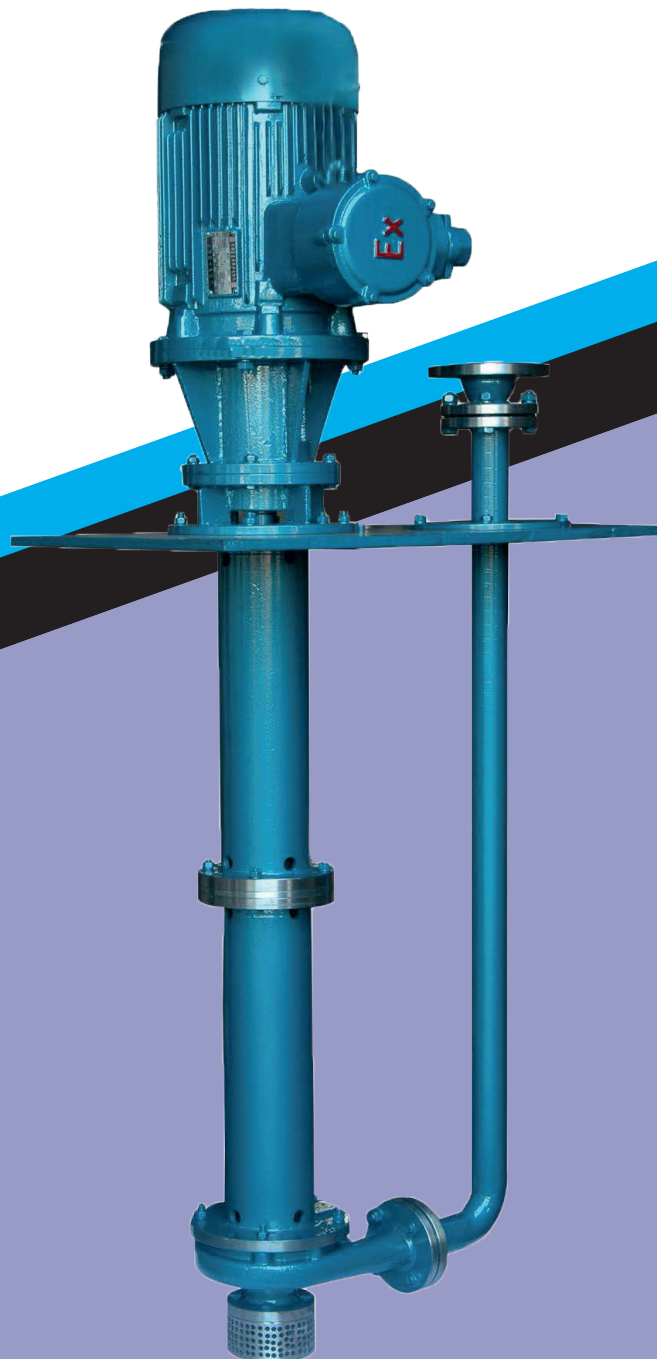


VSC TYPE
VERTICAL SUBMERSIBLE
CENTRIFUGAL PUMP



VSC TYPE VERTICAL SUBMERSIBLE CENTRIFUGAL PUMP

VSC series are vertical single stage chemical centrifugal pumps, which are designed and manufactured on the basis of advanced developed technology.

VSC series are able to operate without mechanical seal, so they reduce the down time caused by mechanical seal failures. They have many advantages, such as non-leakage, long life span, cost saving, improved efficiency, etc.

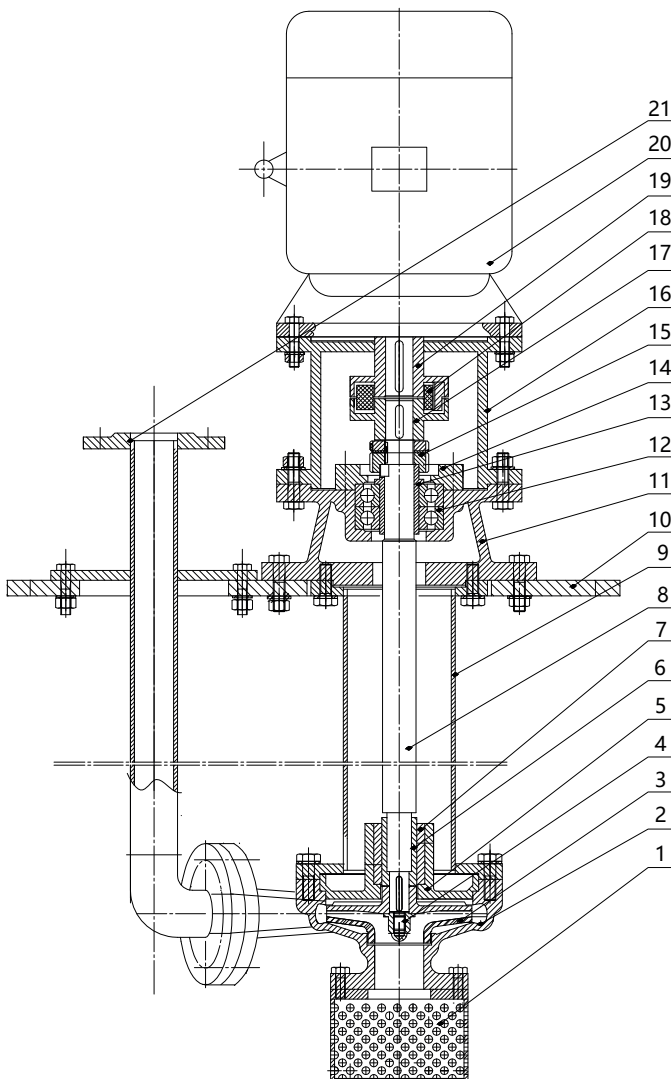
VSC series adopt special centrifugal impeller, which are designed to transfer the clean medium without solids. Hence, they are able to operate with minimal vibration, low noise and high efficiency.

OPERATING CONDITIONS:

Medium Temperature: $-20 \sim 140^{\circ}\text{C}$
 Ambient Temperature: $\leq 40^{\circ}\text{C}$
 Capacity: $2 \sim 240 \text{ m}^3/\text{hr}$

Discharge Head: $6 \sim 50 \text{ m}$
 Pump Outlet: $25 \sim 200 \text{ mm}$
 System Max Operating Pressure: $\leq 16 \text{ bar}$

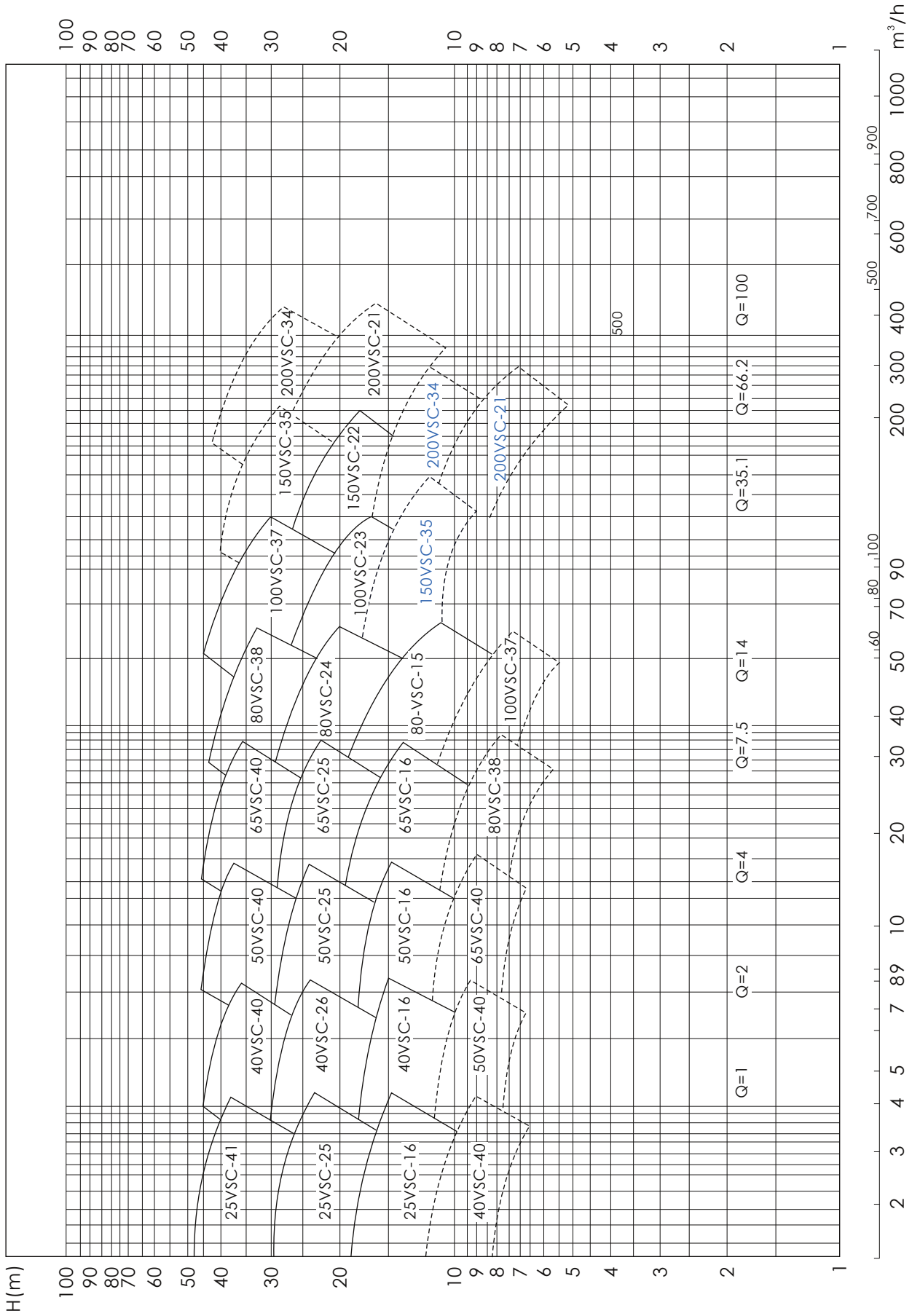
MAJOR PARTS:



No.	Part	Material
1	Filter	Stainless Steel
2	Pump Casing	Cast Iron/Stainless Steel
3	Impeller	Cast Iron/Stainless Steel
4	Nut	Stainless Steel
5	Pump Cover	Cast Iron/Stainless Steel
6	Shaft Sleeve	Cast Iron/Stainless Steel
7	Bushing	Graphite
8	Shaft	Cast Iron/Stainless Steel
9	Supporting Tube	Carbon Steel/Stainless Steel
10	Installation Plate	Carbon Steel
11	Main Bearing Seat	Cast Iron
12	Roller Bearing	Steel
13	Bearing Sleeve	Carbon Steel
14	Bearing Cover	Cast Iron
15	Lock Nut	Carbon Steel
16	Motor Frame	Cast Iron
17	Pump Coupler	Cast Iron
18	Hexagonal Pieces	Wear-resisted Rubber
19	Motor Coupler	Cast Iron
20	Motor	Y2/YB2
21	Outlet Piping	Carbon Steel/Stainless Steel

VSC TYPE VERTICAL SUBMERSIBLE CENTRIFUGAL PUMP

SELECTION CHART



Remark: Solid Lines = 2900RPM; Broken Lines = 1450RPM; Blue Font = 960RPM

VSC TYPE VERTICAL SUBMERSIBLE CENTRIFUGAL PUMP

Performance Parameters

Model	Q Capacity		Head (m)	r/min speed	kW Power	Outlet Diameter (mm)	Length (m)
	(m ³ /h)	(L/s)					
25VSC-16	1.98	0.55	19.2	2900	1.5	25	0.5~2.5
	3.6	1	16				
	3.96	1.1	12.8				
25VSC-16A	1.80	0.50	15.8	2900	1.5	25	0.5~2.5
	3.27	0.91	13.2				
	3.6	1.00	10.6				
25VSC-25	1.98	0.55	30	2900	2.2	25	0.5~2.5
	3.6	1	25				
	3.96	1.1	20				
25VSC-25A	1.80	0.50	24.8	2900	2.2	25	0.5~2.5
	3.27	0.91	20.7				
	3.6	1.0	16.6				
25VSC-41	1.98	0.55	49.2	2900	4	25	0.5~2.5
	3.6	1	41				
	3.96	1.1	32.8				
25VSC-41A	1.80	0.5	40.8	2900	3	25	0.5~2.5
	3.27	0.91	34				
	3.60	1.0	27.2				
40VSC-16	3.96	1.10	18.8	2900	2.2	32	0.5~2.5
	7.2	2	15.7				
	7.92	2.2	12.6				
40VSC-16A	3.6	1.00	15.6	2900	1.5	32	0.5~2.5
	6.55	1.82	13				
	7.2	2.00	10.4				
40VSC-26	3.96	1.10	30.6	2900	3	32	0.5~2.5
	7.2	2	25.5				
	7.92	2.2	20.4				
40VSC-26A	3.6	1.00	25.2	2900	3	32	0.5~2.5
	6.55	1.82	21				
	7.2	2.00	16.8				
40VSC-40	3.96	1.10	48	2900	5.5	32	0.5~2.5
	7.2	2	40				
	7.92	2.2	32				
40VSC-40	1.98	0.55	12	1450	1.1	32	0.5~2.5
	3.6	1.0	10				
	3.96	1.1	8				
40VSC-40A	3.6	1.00	39.2	2900	5.5	32	0.5~2.5
	6.55	1.82	32.7				
	7.2	2.00	26.1				
40VSC-40A	1.8	0.5	9.8	1450	1.1	32	0.5~2.5
	3.3	0.92	8.2				
	3.6	1.0	6.5				
50VSC-16	7.92	2.20	18.8	2900	3	40	0.5~2.5
	14.4	4	15.7				
	15.8	4.4	12.6				
50VSC-16A	7.2	2.00	15.6	2900	3	40	0.5~2.5
	13.1	3.64	13				
	14.4	4	10.4				
50VSC-25	7.92	2.20	30	2900	4	40	0.5~2.5
	14.4	4	25				
	15.8	4.4	20				
50VSC-25A	7.20	2.00	24.8	2900	3	40	0.5~2.5
	13.1	3.64	20.7				
	14.4	4	16.6				
50VSC-40	7.92	2.20	48	2900	7.5	40	0.5~2.5
	14.4	4	40				
	15.8	4.4	32				
50VSC-40	3.96	1.1	12	1450	1.5	40	0.5~2.5
	7.2	2.0	10				
	7.9	2.2	8				
50VSC-40A	7.2	2.0	39.6	2900	5.5	40	0.5~2.5
	13.1	3.64	33				
	14.4	4.0	26.4				
50VSC-40A	3.6	1.0	9.9	1450	1.5	40	0.5~2.5
	6.6	1.83	8.2				
	7.2	2.0	6.6				
65VSC-16	15.8	4.4	18.8	2900	4	50	0.75~2.5
	28.8	8	15.7				
	33.1	9.2	12.6				
65VSC-16A	14.4	4.0	15.6	2900	3	50	0.75~2.5
	26.2	7.28	13				
	30.2	8.40	10.4				

VSC TYPE VERTICAL SUBMERSIBLE CENTRIFUGAL PUMP

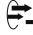


Performance Parameters

Model	Q Capacity		Head (m)	r/min speed	Power kW	Outlet Diameter (mm)	Length (m)
	(m ³ /h)	(L/s)					
65VSC-25	15.8	4.4	30	2900	5.5	50	0.75~2.5
	28.8	8	25				
	33.1	9.2	20				
65VSC-25A	14.4	4.0	24.8	2900	5.5	50	0.75~2.5
	26.2	7.28	20.7				
	30.2	8.40	16.6				
65VSC-40	15.8	4.4	47.4	2900	11	50	0.75~2.5
	28.8	8	39.5				
	33.1	9.2	31.6				
65VSC-40	7.9	2.2	11.8	1450	2.2	50	0.75~2.5
	14.4	4.0	9.8				
	16.5	4.6	7.9				
65VSC-40A	14.4	4.0	39.2	2900	11	50	0.75~2.5
	26.2	7.28	32.7				
	30.2	8.4	26.2				
65VSC-40A	7.2	2.0	9.8	1450	2.2	50	0.75~2.5
	13.1	3.6	8.2				
	15.1	4.2	6.5				
80VSC-15	29.7	8.25	18	2900	7.5	65	1~2.5
	54	15	15				
	64.8	18	12				
80VSC-15A	27	7.5	14.9	2900	7.5	65	1~2.5
	49.1	13.65	12.4				
	58.9	16.38	9.9				
80VSC-24	29.7	8.25	28.8	2900	11	65	1~2.5
	54	15	24				
	64.8	18	19.2				
80VSC-24A	27	7.5	23.9	2900	11	65	1~2.5
	49.1	13.65	19.9				
	58.9	16.38	15.9				
80VSC-38	29.7	8.25	45.6	2900	18.5	65	1~2.5
	54	15	38				
	64.8	18	30.4				
80VSC-38	14.8	4.1	11.4	1450	3.0	65	1~2.5
	27	7.5	9.5				
	32.4	9.0	7.6				
80VSC-38A	27	7.5	37.8	2900	15	65	1~2.5
	49.1	13.64	31.5				
	58.9	16.36	25.2				
80VSC-38A	13.5	3.75	9.5	1450	2.2	65	1~2.5
	24.5	6.8	7.8				
	29.5	8.2	6.3				
100VSC-23	55.4	15.4	27	2900	18.5	80	1~2.5
	100.8	28	22.5				
	120	33.6	18				
100VSC-23A	50.5	14	22.3	2900	15	80	1~2.5
	91.8	25.5	18.6				
	110	30.6	14.9				
100VSC-37	55.4	15.4	43.8	2900	22	80	1~2.5
	100.8	28	36.5				
	120	33.6	29.2				
100VSC-37	27.7	7.7	11	2900	4.0	80	1~2.5
	50.4	14	9.1				
	60	16.7	7.3				
100VSC-37A	50.5	14	36.2	2900	22	80	1~2.5
	91.8	25.5	30.2				
	110	30.6	24.2				
100VSC-37A	25.2	7	9.1	1450	3.0	80	1~2.5
	45.9	12.8	7.5				
	55	27.5	6.1				
150VSC-22	104.4	29	26.4	2900	30	125	1~2.5
	190.8	53	22				
	226.8	63	17.6				
150VSC-22A	95.4	26.5	21.8	1450	22	125	1~2.5
	173.5	48.2	18.2				
	209	58	14.6				

VSC TYPE

VERTICAL SUBMERSIBLE CENTRIFUGAL PUMP

Performance Parameters

Model	Q  Capacity		Head (m)	 speed	 Power	Outlet Diameter (mm)	Length (m)
	(m ³ /h)	(L/s)					
150VSC-35	104.4	29	41.6	1450	45	125	1~2.5
	190.8	53	34.7				
	226.8	63	27.8				
150VSC-35	69.6	19.3	18.5	960	15	125	1~2.5
	127	35.3	15.4				
	151	41.9	12.4				
150VSC-35A	95.4	26.5	34.6	1450	37	125	1~2.5
	173.5	48.2	28.8				
	209	58	23.1				
150VSC-35A	63.6	17.7	15.4	960	11	125	1~2.5
	115.7	32.1	12.8				
	139.3	38.7	10.2				
200VSC-21	198	55	25.2	1450	45	150	1~2.5
	360	100	21				
	396	110	16.8				
200VSC-21	132	36.7	11.2	960	15	150	1~2.5
	240	66.7	9.3				
	264	73.3	7.5				
200VSC-21A	180	50	20.9	1450	37	150	1~2.5
	327	91	17.4				
	360	100	13.9				
200VSC-21A	120	33.3	9.3	960	11	150	1~2.5
	218	60.6	7.7				
	240	66.7	6.2				
200VSC-34	198	55	40.2	1450	75	150	1~2.5
	360	100	33.5				
	396	110	26.8				
200VSC-34	132	36.7	17.9	960	22	150	1~2.5
	240	66.7	14.9				
	264	73.3	11.9				
200VSC-34A	180	50	32.4	1450	55	150	1~2.5
	327	91	27				
	360	99	21.6				
200VSC-34A	120	33.3	14.4	960	18.5	150	1~2.5
	218	60.6	12				
	240	66.7	9.6				